

IEC cord connector C19, rewirable, angled

new



4790

C19



70 °C

**Description**

- Rewireable connector for cable 90° entry:
Screwing cable terminal,
- Outlet, Pin temperature 70 °C, Protection class I
- Screw Clamp

Approvals

- VDE License Number: 40009206
- CSA License Number: 205419

Characteristics

- Qualified for use in equipment according IEC/EN 60950

Weblinks

[Approvals](#), [RoHS](#), [CHINA-RoHS](#), [e-Store](#), [SCHURTER-Stock-Check](#), [Distributor-Stock-Check](#)

Technical Data

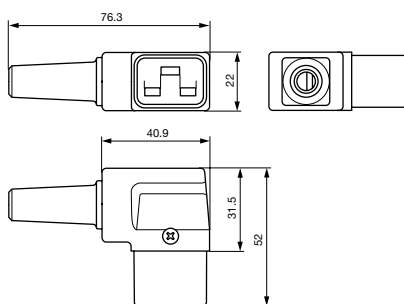
| | |
|---------------------------|---|
| Ratings IEC | 16A / 250VAC; 50Hz |
| Ratings UL/CSA | 21A / 250VAC; 60Hz |
| Dielectric Strength | > 2 kVAC between L-N > 2 kVAC between L/N-PE (1 min/50Hz) |
| Allowable Operation Temp. | -25 °C to 70 °C |
| Protection Class | Suitable for appliances with protection class I acc. to IEC 61140 |
| Terminal | Screw |
| Material: Housing | Thermoplastic, black, UL 94V-0 |

| | |
|-------------------------|--|
| Appliance-Inlet/-Outlet | C19 acc. to IEC/EN 60320-1, UL 498, CSA C22.2 no. 42 (for cold conditions) pin-temperature 70 °C, 16A, Protection class I |
|-------------------------|--|

Dimensions

4790

Length |—————| 76 mm

**Variants**
[Distributor-Stock-Check](#) | [SCHURTER-Stock-Check](#) | [e-Store](#)

| Color | Max. cable diameter | Max. wire size | Order Number |
|-------|---------------------|--------------------------------------|--------------|
| black | 8.7 mm | 3 x 1.5 mm ² / 3 x 16 AWG | 4790.1100 |
| black | 10.0 mm | 3 x 2.1 mm ² / 3 x 14 AWG | 4790.1200 |

Max. torque for screws: Terminal: 0.5 Nm, Cable clamp: 0.3 Nm, Cover: 0.3 Nm

Packaging unit

100 Pcs